

Multi Treatment Chair



JANAK[®]
Because we care.



Dialysis • Oncology • Transfusion **MX4000A**

Recovery has never felt so good.
Experience the comfort and flexibility with Midmark India Treatment Chair.
Nowhere is this more critical than in a healthcare setup where patient comfort is essential to maximize relaxation and recovery while simultaneously providing caregivers with a modern equipment that performs.



User-friendly Handset



Extended Position

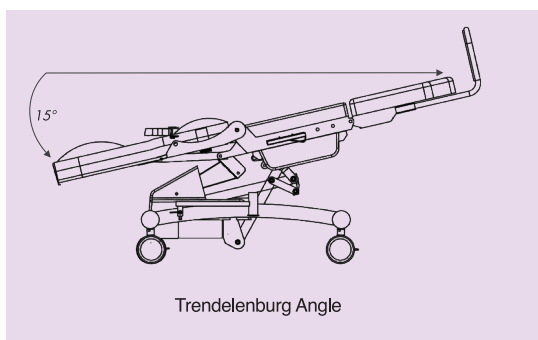
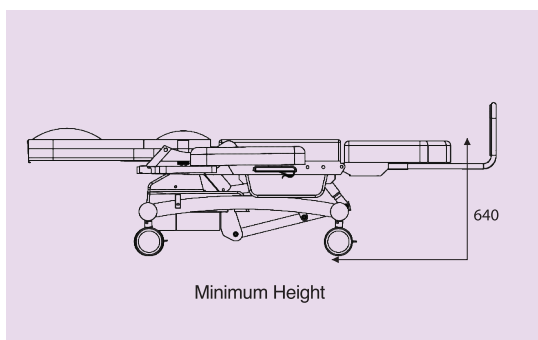
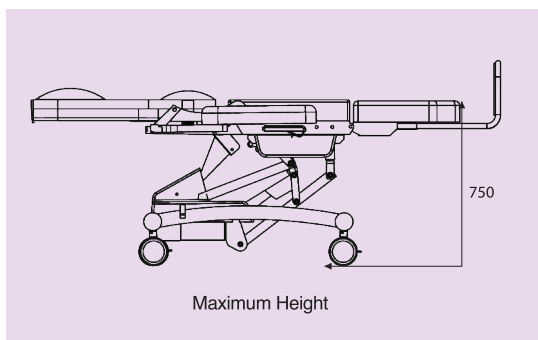
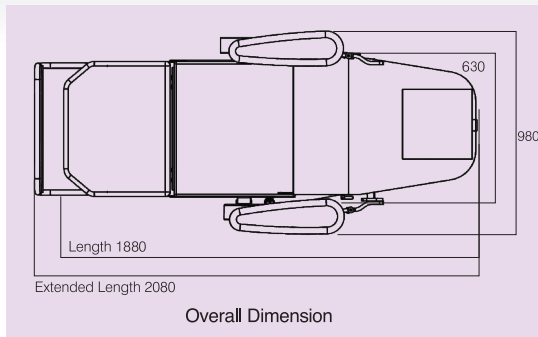


Trendelenburg position

*The product images shown are for illustrative purpose only and not be an exact representation of the product. Accessories shown in the product image may not be part of the standard configuration.



Multi Treatment Chair



Technical Specifications	
Overall Approx. Dimensions*	1870 mm x 970 mm, 74" x 38" (LxB)
Seat Width *	620 mm, 24"
Extended Length *	2080 mm, 81"
Minimum Height *	640 mm, 25"
Maximum Height *	750 mm, 30"

Features (Inbuilt)	
Pair of Removable, Adjustable Armrests with Back & Forth, Sideways and Up-Down Movements	Available
Patient Hand Control	Available
Chair Position	Available
Emergency Head Down	Available
Castors *	125 mm high grade synthetic, twin wheel castors, two with brake & two without brake
Backrest Angle **	0° - 75°
Trendelenburg Angle **	0° - 15°
Battery Back-Up	Available
Safe Working Load	150 kgs
Patient Load Bearing Capacity^	135 kgs

Electrical Specifications	
Power In (Mains Power Supply)	Nominal 240 VAC
Operating Range with Battery	85 VAC to 265 VAC 50/60 Hz, Max 5A
Protection Voltage	100 VAC to 240 VAC
Electrical Shock Protection	Class I
Degree of Shock Protection	Type B
Liquid Ingress Protection	IPX6
Rechargeable Batteries	2 x 12 Volt Sealed Lead Acid
Duty Cycle	10 % (Two minutes for every eighteen minutes)

Add-On Accessories	
Food Table / Reading Table	Yes
IV Pole	Yes

Upholstery Colour Options



Safety Standards	
General safety for medical electrical equipment	IEC 60601-1-1
EMI/EMC	IEC 60601-1-2

* ±10 mm Engineering variation. ** ± 5° Engineering variation. ^When chair is configured with standard accessories



Midmark (India) Private Limited

Head Office: Art Guild House, FOF, B-16, "B" Wing, 4th floor, Phoenix Market City, LBS Road, Kurla (West), Mumbai - 400 070
Toll Free: 1800 22 8020 | Tel: +91 22 4915 3000 | Fax: +91 22 4915 3100 | www.midmark.in | india@midmark.com

We are interested in growing relationships



MX4000A:06:20.07.21

Accessories and color shown in the picture may not be part of standard configuration. Technical alterations reserved in view of our continuous improvements. Midmark India Pvt. Ltd. is the licensed user of the trademark "Midmark India" and the logo. Reproduction of this catalogue in any form is liable for legal action.